



MAGELAN

Blind Control

Assembly instructions

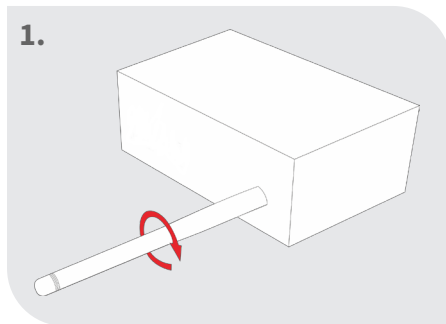
Brief description:

The blind module can be installed in the flush-mounted box or in the blinds box. Enables individual control of the blinds. In conjunction with Gateway GT-100.

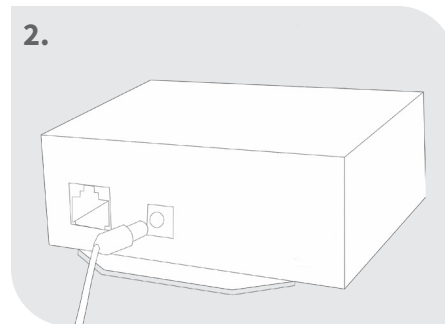
Contents...

Connection of the Gateway GT-100	3
Registration of the Blind Control	3
Connection diagram.....	4
Control via blossomic app.....	5
Technical data.....	6
Safety instructions	7
Declaration of conformity.....	7
Warning notice	7
Intended Use.....	7

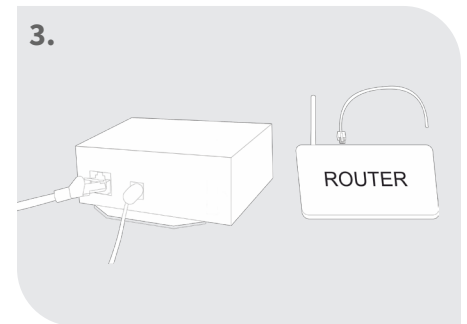
Connection of the Gateway GT-100



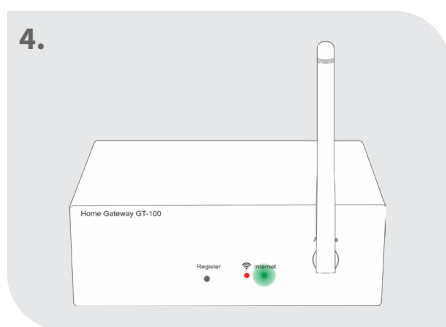
1. Screw on the antenna



2. Connect power supply unit



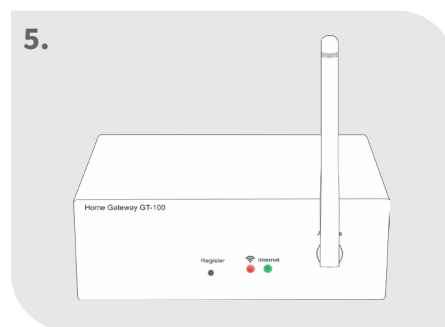
3. Connect the network cable



4. Check status

Green diode lights up constantly: Internet connection is establishing.

Green diode lights up constantly: Internet connection is successfully established



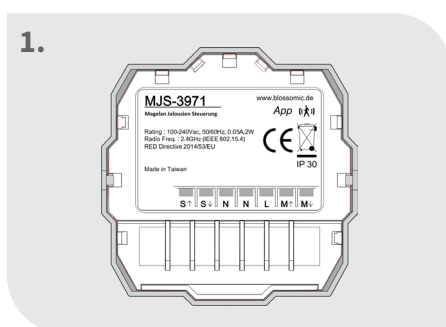
5. Both diodes light up permanently: Gateway active

Hint:

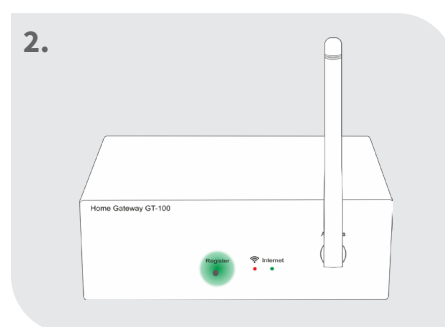
Functionality in the home safe area. Internet connection is used for convenient setting and control via smartphone.

The system functionality is guaranteed even if no Internet connection is available.

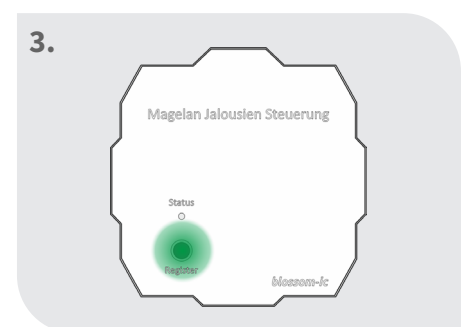
Registration of the Blind Control



1. Connect the Blind Control as described in the connection diagram



2. Press the „Register“ button on the gateway



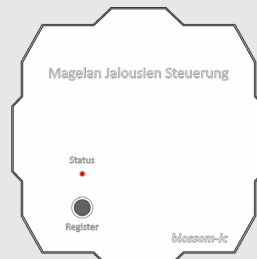
3. Press the „Register“ button on the Blind Control for 3 seconds

4.



LED on the Blind Control starts flashing, blind module registers

5.

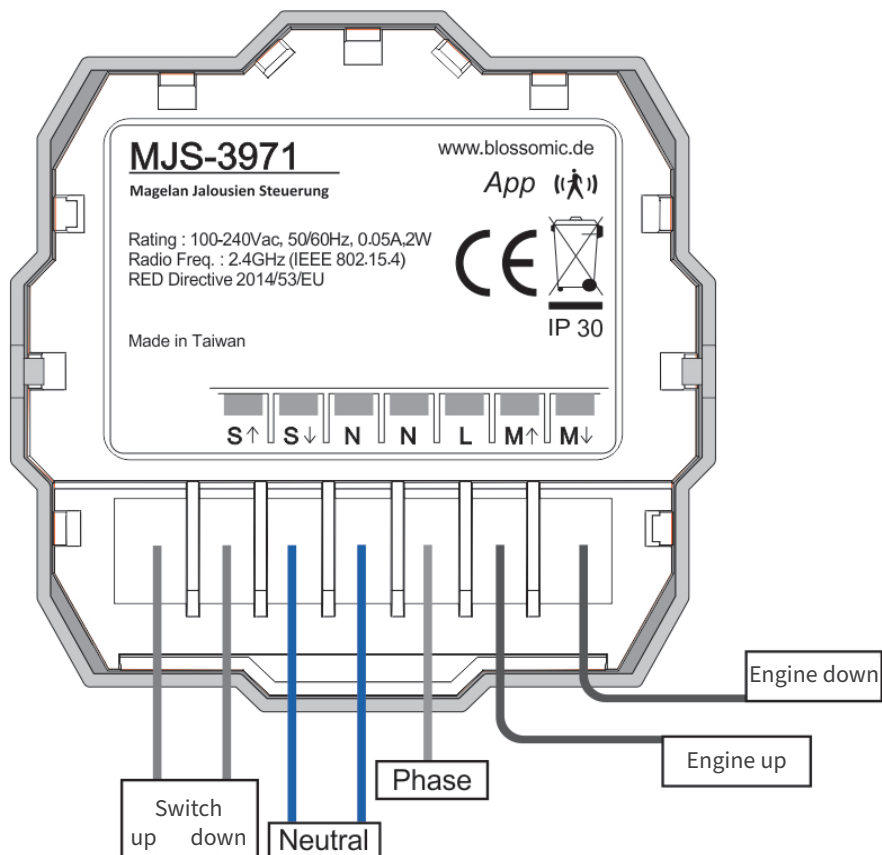


LED on the Blind Control lights up continuously => The registration was successful

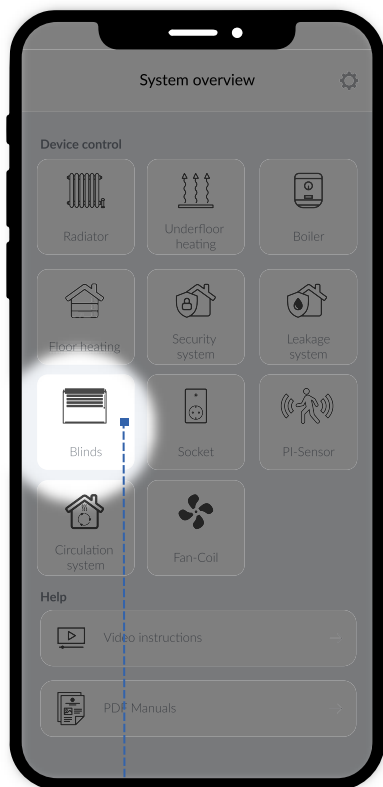
Note:

If the LED on the Blind Control goes off => The registration has failed

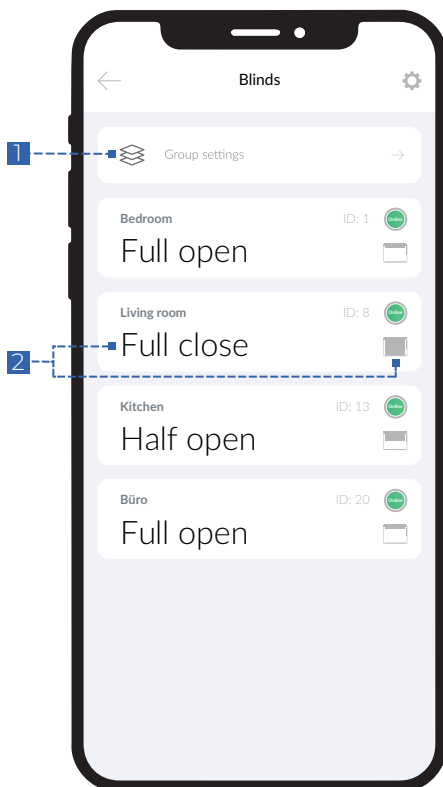
Connection diagram



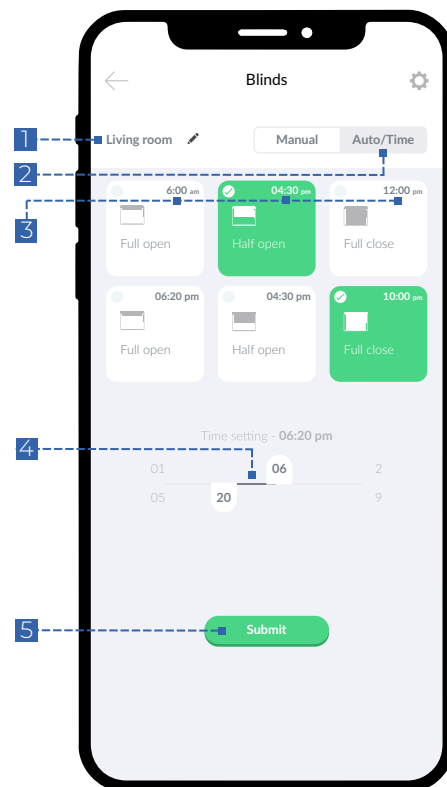
Control via blossomic app



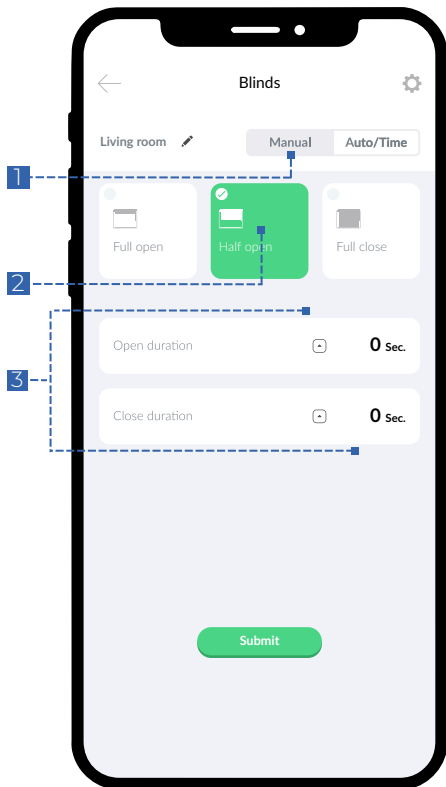
As soon as the Blind Control is registered, the symbol "Blinds" appears in the app.



- 1 Group settings**
Assign the same settings to several devices.
- 2 Current status**



- 1 Naming**
- 2 Auto/Time Mode**
- 3 Settings**
Each position (OPEN / MIDDLE / CLOSED) can be set up to twice a day.
After selecting the button, the time can be set.
A button in GREEN means that the time setting is activated.
- 4 Individual time setting**
- 5 Save changes**
All changes must always be confirmed

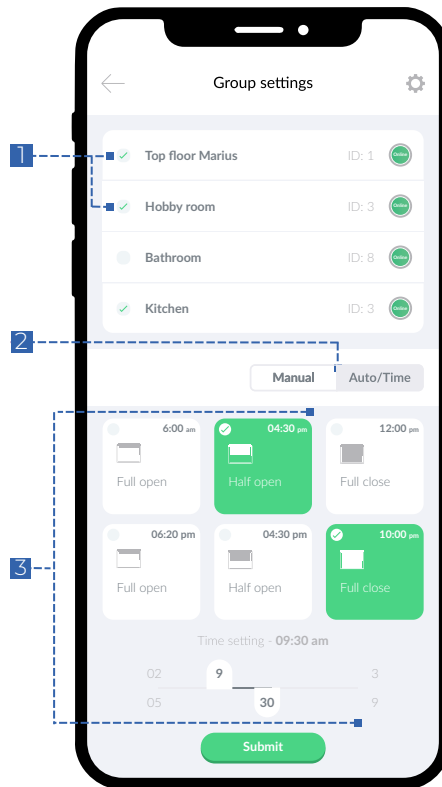


1 Manual Mode

2 Current Position

3 Note

During the initial set-up, the duration of opening and closing the blind must be entered individually.



1 Create group

Click the checkbox to assign the same settings to several devices.

2 Mode selection

3 Individual settings

Technical data

Technical data - Magelan Blind Control

➤ Ambient temperature	0 ~ 50°C
➤ Mains voltage	230V AC / 50/60Hz
➤ Dimension	L54 x W54 x H32 (mm)
➤ Wireless frequency	2.4GHz, ISM Band, 16 channels
➤ Protection class	IP 30
➤ RF-Test	RED 2014/53/EU
➤ CE	Available
➤ RoHs	Available
➤ Type of antenna	PCB antenna

Safety instructions

Attention! Important Note:

Installation and assembly of electrical devices may only be carried out by a qualified electrician. Failure to observe the assembly and installation instructions can result in fire or other dangers.

Declaration of conformity

Hereby blossom-ic GmbH & Co. KG hereby declares that the following product: Magelan Blind Control MJS-3971 is in conformity with the essential requirements and other relevant provisions of Directive 2014/53/EU. The complete declaration of conformity can be found at the following address: [www.blossomic.de/downloads Declaration of conformity](http://www.blossomic.de/downloads/Declaration%20of%20conformity).

Warning notice

The Blind Control is not suitable for children and must not be used as a toy. Store and dispose of packaging materials in a child-proof manner. Do not disassemble the Blind Control, as it does not contain any user-serviceable parts. If defects occur, please return the Blind Control to the dealer. This appliance may be used by children over 8 years of age and by persons with reduced physical, Sensory or mental abilities or lack of experience and knowledge, provided they have been supervised or instructed in the safe use of the appliance and understand the dangers involved. Children must not play with the device. Cleaning and user maintenance must not be performed by children without supervision.

Intended Use

The Magelan Blind Control is only suitable for controlling the blinds.



blossom-ic

 intelligent controls

blossom-ic GmbH & Co. KG

Oberer Buxheimer Weg 60, 87700 Memmingen, Germany

P: +49 8331-756 965 80 **E:** info@blossomic.de

W: www.blossomic.de